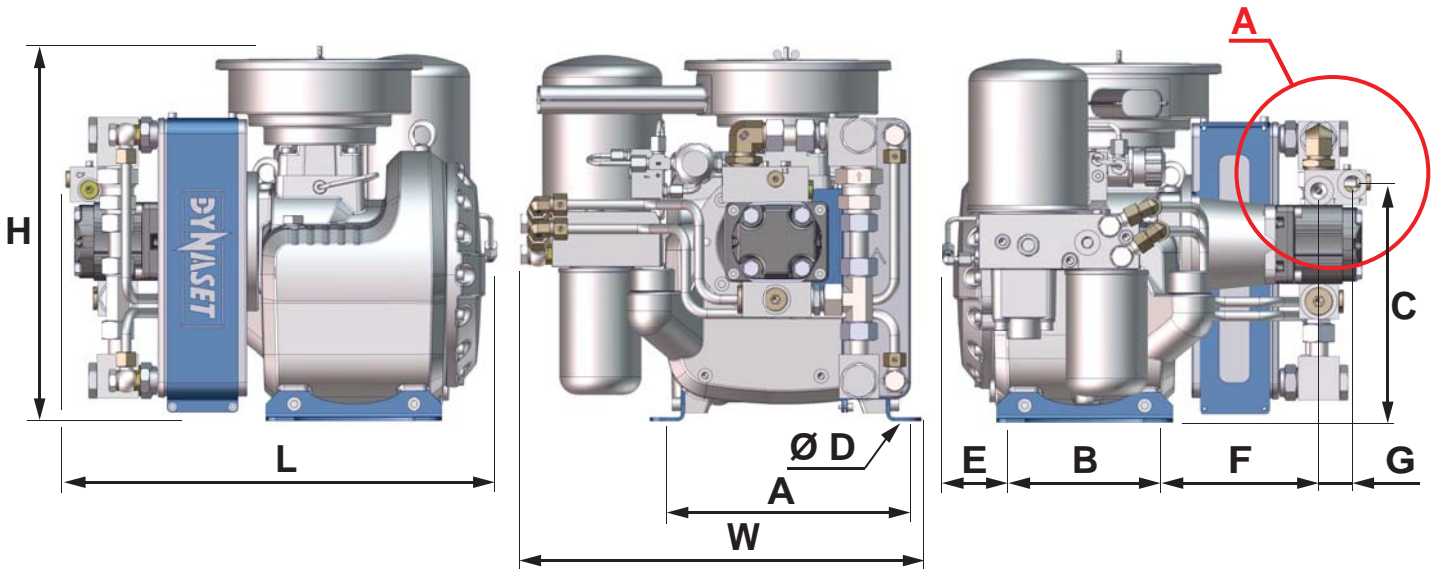


**HKR HYDRAULIC SCREW COMPRESSOR  
HKR 2500/10-67**

DYNASET HKR Hydraulic screw compressor gives high quality efficient compressed air to different kinds of applications; Pneumatic tools, air flushing, tire filling, cleaning in crushers and farming machines. Dynaset compact screw compressor HKR is equipped oil separator cartridge, heat exchanger, automatic speed valve and pneumatic controlled idle-run features making Dynaset compressor reliable and productive.

**MAIN ASSEMBLY AND SPECIFICATIONS**

**HKR 2500/10-67**

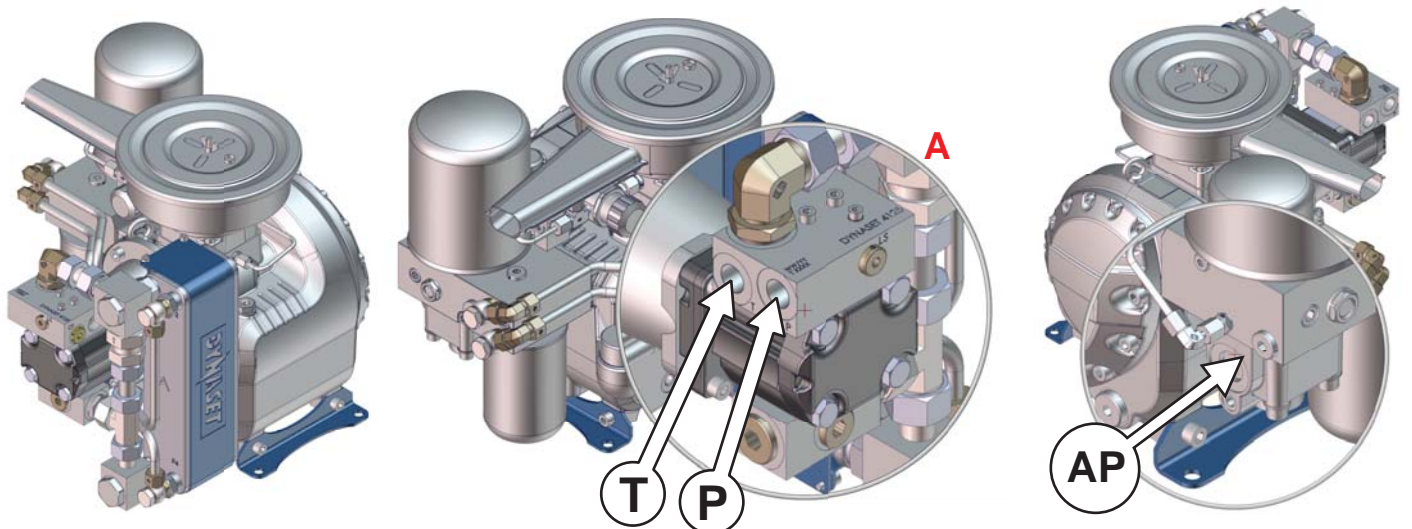


MODEL	DIMENSIONS, mm										WEIGHT	OIL FILL
	L	W	H	A	B	C	D	E	F	G	kg	I
HKR 2500/10 - 67	490	455	425	285	176	275	13	75	180	60	74	

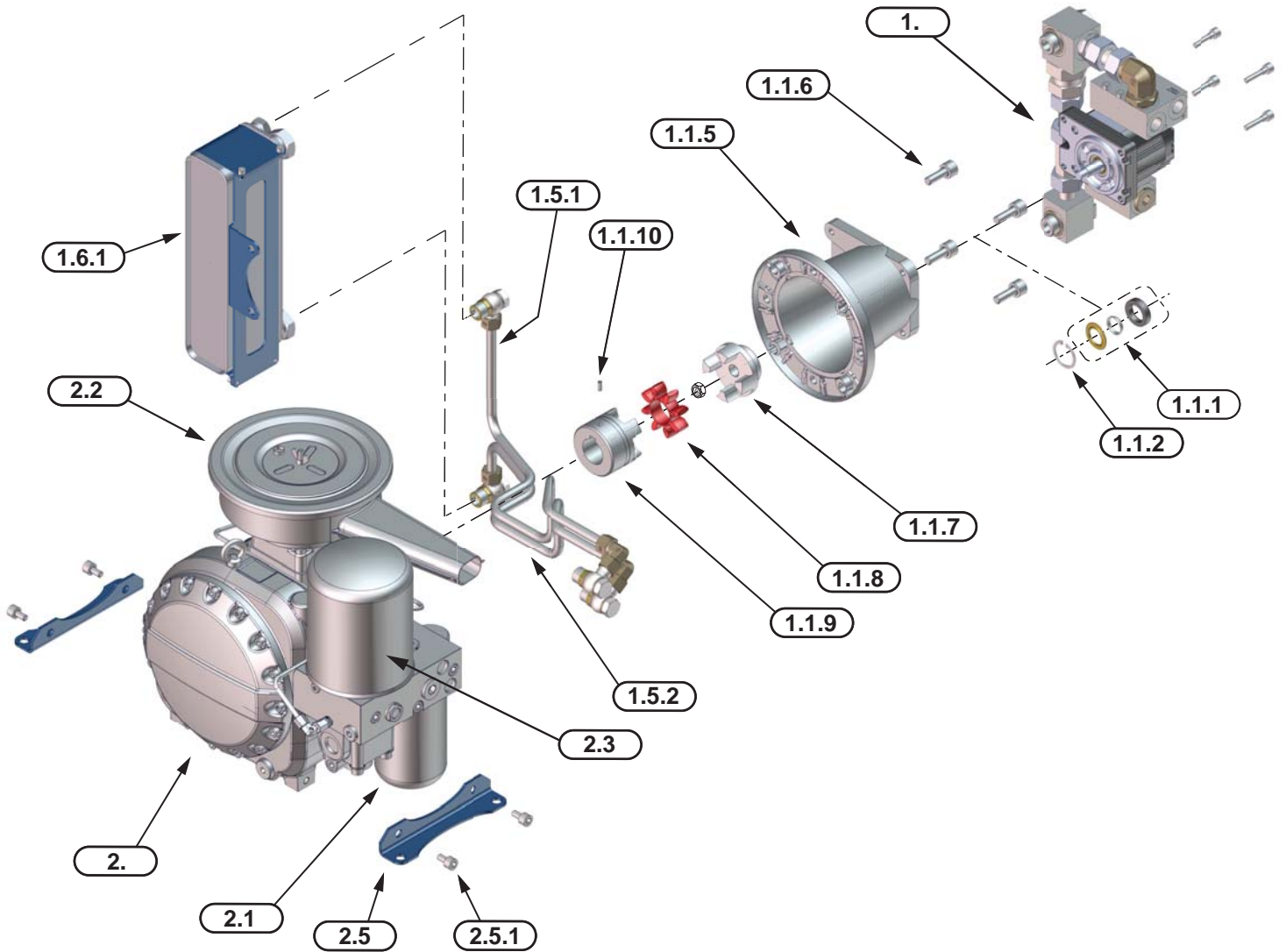
SPECIFICATIONS			min	nom	max
HYDRAULIC FLOW	l/min		15	67	70
HYDRAULIC PRESSURE	bar		190	205	215
HYDRAULIC PRESS. ON IDLE RUN	bar			130	
AIR FLOW	l/min/10 bar			2500	
AIR PRESSURE	bar			10	

CONNECTIONS		
HYDRAULICS		COMPRESSED AIR
P pressure	T* return	AP
BSP 1/2"	BSP 1/2"	BSP 3/4"

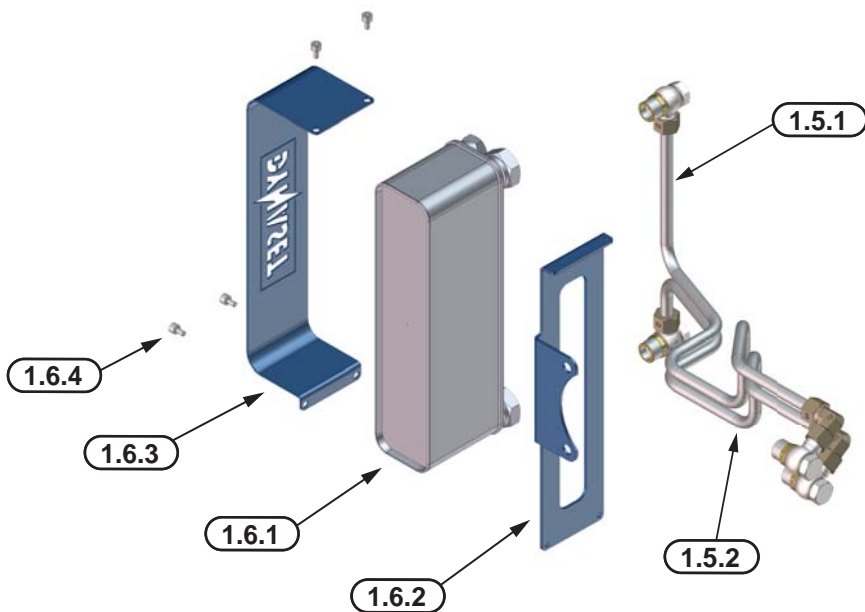
\* Min. return line hose/pipe inner diam. 19 mm



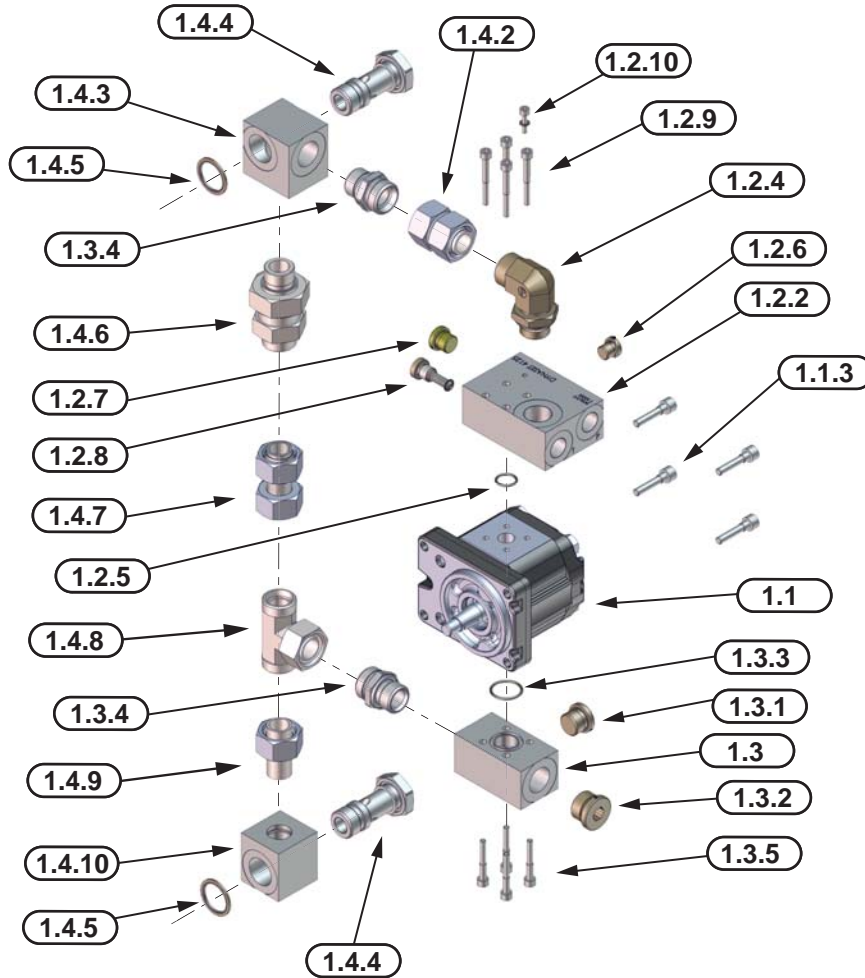
### BASIC ASSEMBLY



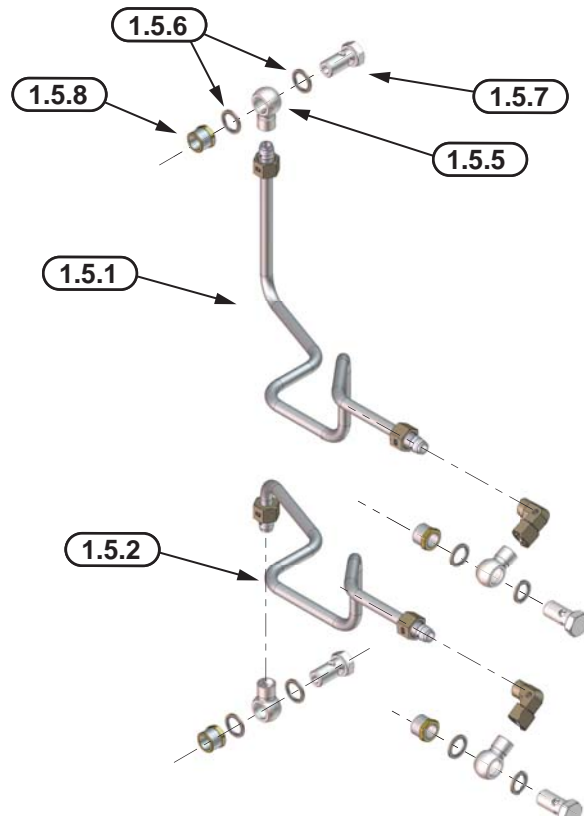
### HEAT EXCHANGER ASSEMBLY



### HYDRAULIC DRIVE KIT ASSEMBLY



### HEAT EXCHANGER PIPE UPPER / LOWER ASSEMBLY



**HKR HYDRAULIC SCREW COMPRESSOR  
HKR 2500/10-67**
**SPARE PARTS**

No	CODE	DESIGNATION	DETAILS	HKR 2500/10-67
1		HYDRAULIC DRIVE KIT, COMPLETE		1
1.1		HYDRAULIC MOTOR		1
1.1.1	V100103150	SHAFT SEAL, COMPLETE	18x30x7	1
1.1.2		SNAP RING		1
1.1.3	8500415200	ALLEN SCREW	M10x25	4
1.1.5	0609018027	MOTOR FLANGE	2r-160	1
1.1.6	8500412320	ALLEN SCREW + WASHER	M8x35	4
1.1.7	8107216105	HALF COUPLING, MOTOR SIDE	H55-2r	1
1.1.8	8107238600	RUBBER ELEMENT	H55x14	1
1.1.9	8107216100	HALF COUPLING, COMPRESOR SIDE	H55	1
1.1.10	8500652400	SET SCREW	M5x10	1
1.2	0700034135	CHECK VALVE BLOCK, COMPLETE	4125	1
1.2.2	0700034125	CHECK VALVE BLOCK	4125	1
1.2.4	1702028000	ELBOW FITTING	22L-R3/4	1
1.2.5	2204109000	O-RING 21		1
1.2.6	1702695000	HF PLUG	R1/4"	1
1.2.7	1702695000	HF PLUG	R3/8"	1
1.2.8	1309010276	CHECK VALVE CARTRIDGE	R1/4	1
1.2.9	8500410000	ALLEN SCREW	M6x50	4
1.2.10	8500406400	ALLEN SCREW	M5x20	1
	2104775900	SEAL		1
1.3	0709017960	RETURN BLOCK, COMPLETE	2r-2x3/4-1/2	1
1.3.1	1702725000	HF PLUG	R3/4"	1
1.3.2	1702715000	HF PLUG	R1/2"	1
1.3.3	2204134000	O-RING 24		1
1.3.4	1701925000	MALE STUD CONNECTOR	22L R3/4	1
1.3.5	8500409800	ALLEN SCREW	M6x40	4
1.4.	0609018015	PIPE ASSEMBLY	22L	1
1.3.4	1701925000	MALE STUD CONNECTOR	22L R3/4	1
1.4.3	0609016985	JUNCTION BLOCK	2xR3/4	1
1.4.4	1702054565	BANJO BOLT	R3/4-60	1
1.4.5	1702195000	SEAL USIT	R3/4	1
1.4.6	1300836440	CHECK VALVE	22L-R3/4	1
1.4.7	0609018017	PIPE ASSEMBLY	22L	1
1.4.8	1702131000	SIVIWEL T-FITTING	22L M30	1
1.4.9	0609018013	PIPE ASSEMBLY	22L	1
1.4.10	0609018011	BANJO BLOCK	R3/4"-22	1
1.4.4	1702054565	BANJO BOLT	R3/4-60	1
1.4.5	1702195000	SEAL USIT	R3/4	1
1.5.1	0609018056	UPPER PIPE ASSY HEAT EXCHANGER	12L	1
1.5.2	0609018057	LOWER PIPE ASSY HEAT EXCHANGER	12L	1
1.5.5	1702054550	BANJO COUPLING	12L-R3/8	4
1.5.6	1702185000	SEAL, USIT	R3/8	8
1.5.7	1702054555	BANJO BOLT	R3/8-30	4
1.5.8	1702970000	REDUCER	RK1/2-3/8	2
1.6.1		HEAT EXCHANGER		1
1.6.2	0609018053	SUPPORT PLATE		1
1.6.3	0609018054	FASTENING		1
1.6.4	8500409100	ALLEN SCREW	M6x10	4
2		COMPRESSOR BLOCK, ASSEMBLY		1
2.1		OIL FILTER		1
2.2		AIR FILTER		1
2.3		OIL SEPARATOR GARTRIDGE		1
2.5	0609018008	SUPPORT MOUNT		2
2.5.2	8500415100	ALLEN SCREW	M10x16	4

## PARAMETERS

PARAMETERS		HKR2500/10-67
<b>DISCHARGE CHARACTERISTICS</b>		
Flow rate at ref. conditions, max. l/min		2500 *
Maximum pressure	bar	10
<b>COMPRESSED AIR CONNECTION</b>		
	<b>AP</b>	BSP 3/4"
<b>HYDRAULIC CONNECTIONS</b>		
Pressure line	<b>P</b>	BSP 1/2"
Return line	<b>T</b>	BSP 1/2" **
<b>FRAME RESERVOIR</b>		
	<b>I</b>	
<b>HYDRAULIC POWER REQUIREMENTS</b>		
Minimum flow	l/min	15
Nominal flow	l/min	67
Maximum flow	l/min	70
Pressure at nominal flow	bar	205
Maximum pressure	bar	280
Pressure on idle run	bar	130
<b>HYDRAULIC FLUID REQUIREMENTS</b>		
Viscosity	cSt	10 - 200 / optimi 25 - 35
Temperature	°C	max. 70 ***
Filter ratio, recommendation	um	min. 25
Cooling capacity, recommend. min	kW	13 ****
<b>OVERALL DIMENSIONS</b>		
Length	mm	490
Width	mm	455
Height	mm	425
Weight	kg	74
* According to ISO 1217 (1996) at discharge pressure of 6 bar.		
** Minimum return line hose/pipe inner diameter 19mm, (3/4 in.)		
*** REF. TO HYDRAULIC FLUIDS		
**** Minimum cooling capacity for HKR compressor on carrier machine		